



Self-contained ice maker - Sprayer system
Daily production up to 48 kg

Hotel	██
Restaurant	██
Fast food	██
Bar	██
Disco	██
Fish market	██
Supermarket	██
Medical & SPA	██
Industry	██

► Position n°



► **Features & Plus**

- Compact and crystal cube
- AISI 304 SS Scotch Brite finish
- Tropical class +43°C
- Air cooling system
- Easy cleanable internal rounded surfaces
- HCFC-Free insulated storage
- RoHS Free
- Electromechanical operation
- Standard and special voltages
- Ice dispenser

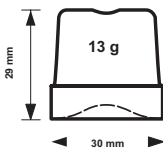


AISI 304 SS Scotch Brite finish



Ice dispenser

► **Available ice cube size**



► **Prod. 24h**

Temp. °C	Air temp.		Water temp.		kg	lbs
	10° C	50° F	7° C	45° F	48	106
	21° C	70° F	15° C	60° F	44	97

3 Years Warranty
subject to limitations

► **Certifications available for this model**



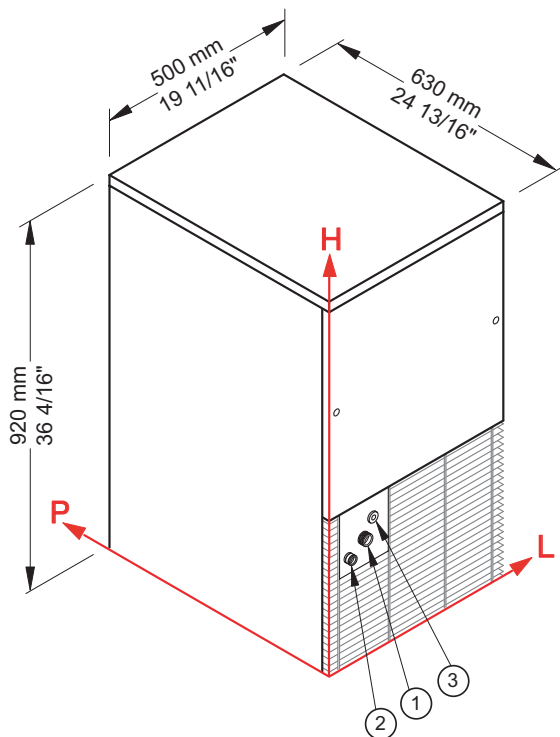


Ice Cube

DSS 42A



Self-contained ice maker - Sprayer system Daily production up to 48 kg



► Working conditions

- Location: **Indoor**

	Min	Max
Ambient temperature	+10° C / +50° F	+43° C / 110° F
Water temperature	+3° C / +37° F	+32° C / +90° F
Voltage	-10%	+10%
Water inlet pressure	1bar (14 psi)	6bar (84 psi)

► Performances

	Air temperature	Water temperature					
		7° C	45° F	15° C	60° F	21° C	70° F
	10° C	48 kg					
	50° F		106 lbs				
	21° C			44 kg			
	70° F				97 lbs		
	32° C					40 kg	
	90° F						88 lbs

► Connections

All measures are referred to the rear bottom-left corner (L-H-Ø)

- ① Water in.: 111 mm / 4 6/16" - 311 mm / 12 4/16" - 3/4" ② Water out.: 49 mm / 1 15/16" - 270 mm / 10 10/16" - 24 mm / 15/16"
- ③ Electrical connections: 156 mm / 6 2/16" - 347 mm / 13 11/16"

► Technical information

Production in 24h	44 kg / 97 lbs	Water consumption	A: 4 l/kg - 47,9 gal/100 lbs
Store capacity, up to	12 kg / 26 lbs		W: 15 l/kg - 179,7 gal/100 lbs
Cooling system	A	Sizes (L-P-H mm)	500 - 630 - 920
Kind of cube	D-13g	(L-P-H in)	19 11/16 - 24 13/16 - 36 4/16
Refrigerant	R452A	Sizes with pack (L-P-H mm)	540 - 770 - 1090
Standard voltage	220-240 V ~ 50 Hz	(L-P-H in)	21 4/16 - 30 5/16 - 42 15/16
Average power consumption	450 W	Net weight	66 kg / 146 lbs
Fuse	10 A	Gross weight	74 kg / 163 lbs
Delivered ice	3 kg/min	Finish	AISI 304 stainless steel, scotch brite

All the technical information must be considered at the following conditions:

- Sizes without feet
- Standard Cube (13 g)
- Ambient temperature +21° C
- Water temperature +15° C
- Average power consumption at +43° C (standard voltage)

Models and specifications are subject to change without notice

Rev. 04 - Issued September 2019



www.cannindustries.com.au

Bim + Data
download

